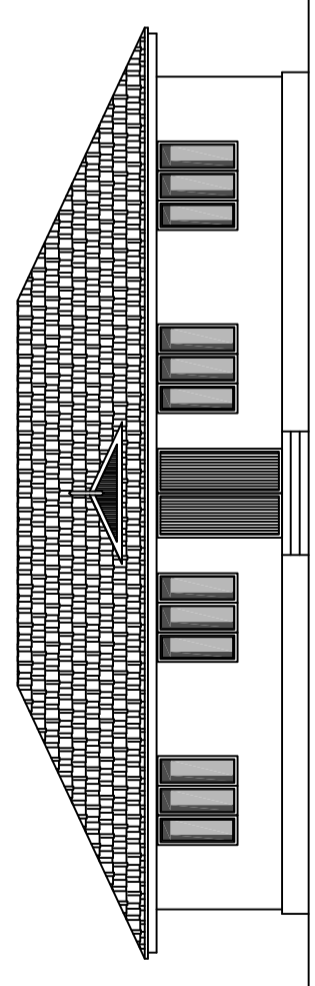


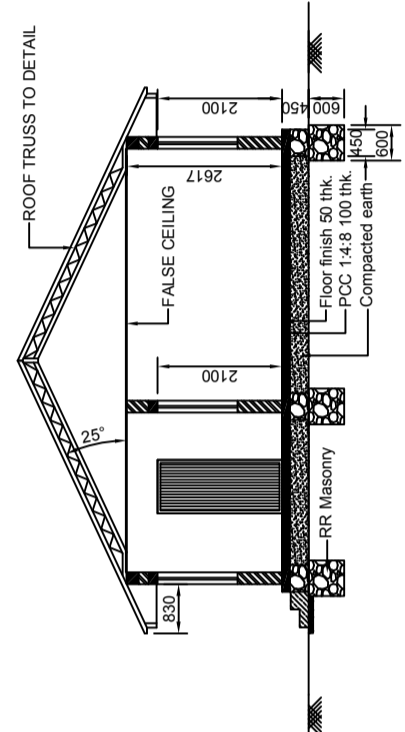
H
G
F
E
D
C
B
A

1 2 3 4 5 6 7 8 9 10 11 12

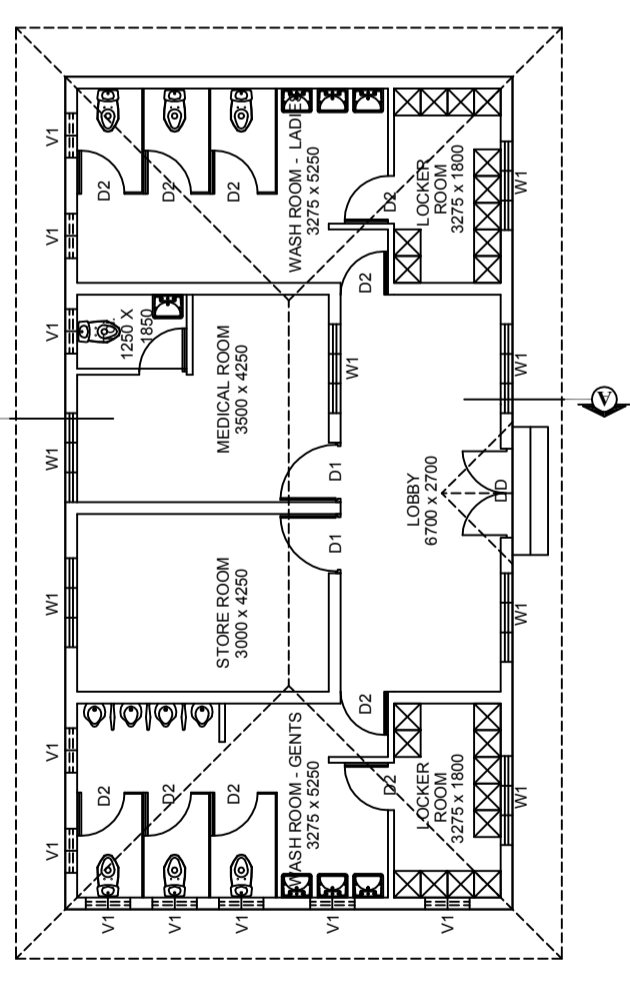
H
G
F
E
D
C
B
A



ELEVATION



SECTION - AA



PLAN

PLINTH AREA = 106.00m²

LEGEND		
TYPE	PARTICULARS	SIZE
D1	DOOR	900 x 2100
D2	FRP DOOR	800 x 2100
W1	GAL. STEEL WINDOW	1500 x 1350
V	GAL. STEEL VENTILATOR	1000 x 600

FOR TENDER PURPOSE ONLY

DESIGNED	CLIENT:	NATIONAL GAMES GOVT. OF KERALA
CHECKED	PROJECT:	JIMMY GEORGE ATHLETIC STADIUM AT St. JOSEPH HIGH SCHOOL, PERAVOOR, KANNUR
DRAWN	TITLE:	- CHANGE ROOM AND TOILET BLOCK - - PLAN, ELEVATION AND SECTION -
CHECKED	DRG NO:	DP 645 DRG CL 01 002
APPROVED	SCALE:	1 : 100
UNIT:	mm.	
DATE		
INITIAL		
DATE		
SHEET NO:	1 OF 1	
REV.		
DATE:	17.03.13	
<p>This drawing is the property of KITCO Ltd. and is to be used only for the purpose for which it was lent and must not be in any way detrimental to the interest of the company and is subject to return on demand</p>		



SHEET SIZE A3 - PLOT SCALE 1:100

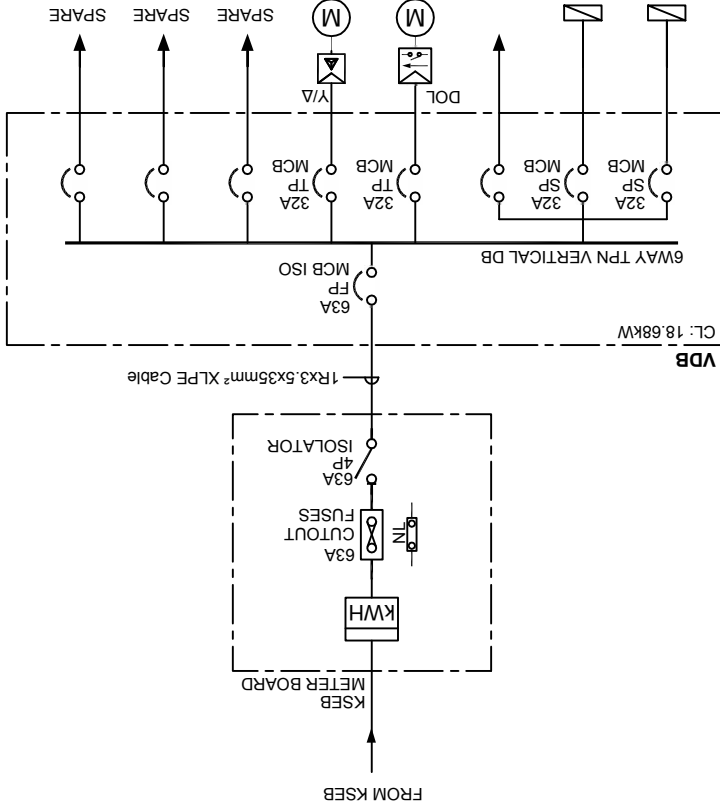
SHEET SIZE A4 - PLOT SCALE 1:1

DRG NO:	DP 586 DRG EL 23 002	SHEET NO:	1 OF 1	REV.	
CLIENT:	NATIONAL GAMES GOVT. OF KERALA	TITLE:	POWER DISTRIBUTION DIAGRAM	UNIT:	
DESIGNED:	CHECKED:	DRAWN:	CHECKED:	APPROVED:	
PROJECT: JIMMY GEORGE ATHLETICS STADIUM AT ST. JOSEPH'S HIGH SCHOOL PERAVOOR, KANNUR					
KITCO Ltd. (Estd. in 1972 by IDBI & Govt. of Kerala) PUTHIYA ROAD - NH BYPASS, KOCHI - 28					
This drawing is the property of KITCO Ltd. and is to be used only for the purpose for which it was lent and must not be in any way detrimental to the interest of the company and is subject to return on demand					
DATE:	04.01.13				

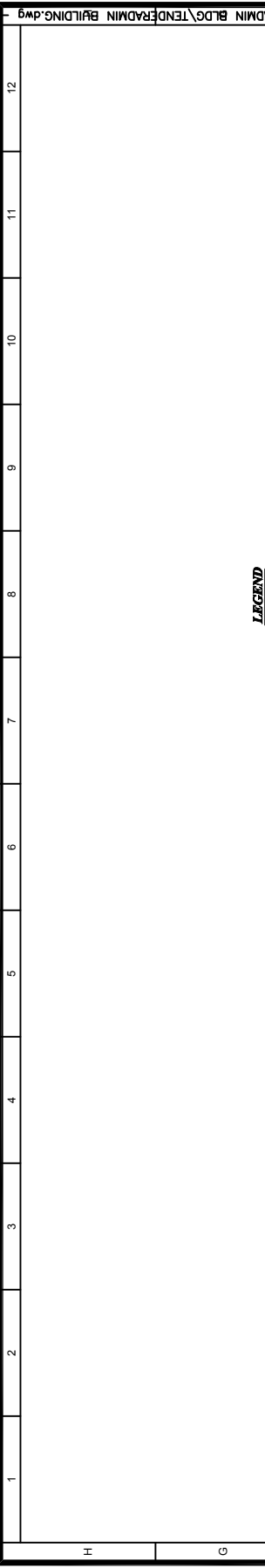
TENDER PURPOSE ONLY

LEGEND	
	NEUTRAL LINK
	CUT OUT FUSE
	MCB
	KILO WATT HOUR METER
	STAR-DELTA STARTER

DESCRIPTION OF LOAD	CONNECTED LOAD (KW)	POWER CABLE (mm ² AL)	NO. OF CORES	NO. OF RUNS	LENGTH IN METERS	EARTHING (GI)
DB-1 1Ø 12W	5.2	10	2	1	--	10
DB-2 1Ø 12W (Ext. light)	2.25	10	2	1	--	10
PUMP-1 5 HP	3.73	4	3	1	--	10
PUMP-2 10 HP	7.5	6	3	2	--	10
SPARE						



\\minserver\CAD_2013\2013\645 STADIUM (PERAVOOR, KTY INDOOR,OTPLM, CHANGNR)\01 PERAVOOR STADIUM, KANNUR\ELECTRICAL\ADMIN BLDG\TENDERS\SD.dwg - Apr 10, 2013



LEGEND

SL NO.	SYMBOL	DESCRIPTION	NOTATION	QTY (NO.)
1	[Symbol]	1x28W SURFACE MOUNTED FTL	L1	09
2	[Symbol]	1X14W FTL	L2	07
3	[Symbol]	12W WALL BRACKET	L3	02
4	[Symbol]	2X18W CFL DOWN LIGHT RECESS MOUNTED	L4	03
5	[Symbol]	2X18W CFL DOWN LIGHT RECESS MOUNTED	L5	02
6	[Symbol]	WALL FAN	WF	03
7	[Symbol]	250mm DIA EXHAUST FAN WITH LOUVER	EF	04
8	[Symbol]	6A SOCKET	P	07
9	[Symbol]	6A SOCKET FOR PEDESTAL FAN	PF	01
10	[Symbol]	SWITCH BOARD	S	10
11	[Symbol]	TELEPHONE SOCKET	-	01
12	[Symbol]	3Nos. 6A SWITCH SOCKETS	CP	01
13	[Symbol]	16A SOCKET	PP	02
14	[Symbol]	DISTRIBUTION BOARD	-	03
15	[Symbol]	METER BOARD	-	01

LIGHTING LAYOUT

FOR TENDER PURPOSE ONLY

DESIGNED		CLIENT: NATIONAL GAMES GOVT. OF KERALA	
CHECKED		PROJECT: JIMMY GEORGE ATHLETIC STADIUM AT ST. JOSEPH HIGH SCHOOL, PERAVOOR, KANNUR	
DRAWN		TITLE: - CHANGE ROOM AND TOILET BLOCK - LIGHTING LAYOUT	
CHECKED		DRG NO: DP 645 DRG EL 01 001	DATE: 08.04.13
APPROVED		SHEET NO: 1 OF 1	REV: 08.04.13
PARTICULARS		SCALE: 1 : 100	UNIT: mm.
REVISION		INITIAL	DATE



This drawing is the property of KITCO Ltd. and is to be used only for the purpose for which it was lent and must not be in any way detrimental to the interest of the company and is subject to return on demand

SHEET SIZE A3 - PLOT SCALE 1:100