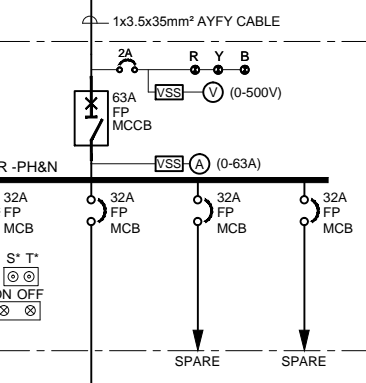



| DESCRIPTION OF LOAD | CONNECTED LOAD (kW) | MCCB SETTING (A) | POWER CABLE (mm ²) AL | No. OF CORES | LENGTH IN METERS | EARTHING (Cu.) |
|------------------------|---------------------|------------------|-----------------------------------|--------------|------------------|----------------|
| CAPACITOR PANEL 40kVAR | -- | -- | 25x3 | -- | -- | -- |
| SWIMMING POOL PANEL | 26.3 | -- | 25x3 | -- | -- | -- |
| FIRE PANEL | 54 | -- | 25x3 | -- | -- | -- |
| SPARE | -- | -- | -- | -- | -- | -- |
| SPARE | -- | -- | -- | -- | -- | -- |



| DESCRIPTION OF LOAD | CONNECTED LOAD (kW) | MCCB SETTING (A) | POWER CABLE (mm ²) AL | No. OF CORES | LENGTH IN METERS | EARTHING (Cu.) |
|------------------------|---------------------|------------------|-----------------------------------|--------------|------------------|----------------|
| SPRINKLER PUMP - 7.5HP | 5.6 | 6 | 3 | 1 | -- | 10 |
| Terrace PUMP 7.5HP | 5.6 | 6 | 3 | 1 | -- | 10 |
| PUMP DB 1Ø 4W | 4.5 | 4.5 | 16 | 10 | -- | 10 |

| DESCRIPTION OF LOAD | CONNECTED LOAD (kW) | MCCB SETTING (A) | POWER CABLE (mm ²) AL | No. OF CORES | LENGTH IN METERS | EARTHING (SWG Cu.) |
|--------------------------------|---------------------|------------------|-----------------------------------|--------------|------------------|--------------------|
| LDB-1 GF 3Ø 6W | 3.22 | -- | 16 | 4 | -- | 10 |
| LDB-2 IF 3Ø 6W | 3.06 | -- | 16 | 4 | -- | 10 |
| ULDB | 2 | -- | 10 | 2 | -- | 10 |
| LDB-3 IF 3Ø 6W | -- | -- | 16 | 4 | -- | 10 |
| External Lighting DB 3Ø 6W VDB | 0.846 | -- | 25 | 4 | -- | 10 |
| SPARE | -- | -- | -- | -- | -- | -- |
| PDB-1 3Ø 6W | 3 | 3 | 16 | 4 | -- | 10 |
| A/C GYM (GF) | 8.25 | 8.25 | 16 | 4 | -- | 10 |
| A/C (FF) ADMIN. OFFICE | 8.25 | 8.25 | 16 | 4 | -- | 10 |
| PDB-2 3Ø 6W | 4.5 | 4.5 | 16 | 4 | -- | 10 |
| UPSDB | -- | -- | -- | -- | -- | -- |
| SPARE | -- | -- | -- | -- | -- | -- |

FOR ESTIMATE PURPOSE ONLY

| | | | |
|------------------------------|-------------|--|------------------|
| DESIGNED | |  KITCO Ltd. (Estd. in 1972 by IDBI & Govt. of Kerala) PUTHIYA ROAD - NH BYPASS, KOCHI - 28 | |
| CHECKED | | | |
| DRAWN | | CLIENT: NATIONAL GAMES | |
| CHECKED | | PROJECT: MUNICIPAL STADIUM AT PALA | |
| APPROVED | | TITLE: POWER DISTRIBUTION DIAGRAM | |
| SCALE | N.T.S | | |
| UNIT | mm. | | |
| DATE | 08.02.2013 | | |
| SL.No. | PARTICULARS | INITIAL | DATE |
| REVISION | | | |
| DRG NO: DP 586 DRG EL 12 001 | | REV. | SHEET NO: 1 OF 1 |

This drawing is the property of KITCO Ltd. and is to be used only for the purpose for which it was lent and must not be in any way detrimental to the interest of the company and is subject to return on demand

T:\2013\586 NG (VM,TRCHR,TRP SKO)\PALA STADIUM\ELECTRICAL\ESTIMATE\SLD2.dwg - Feb. 15, 2013