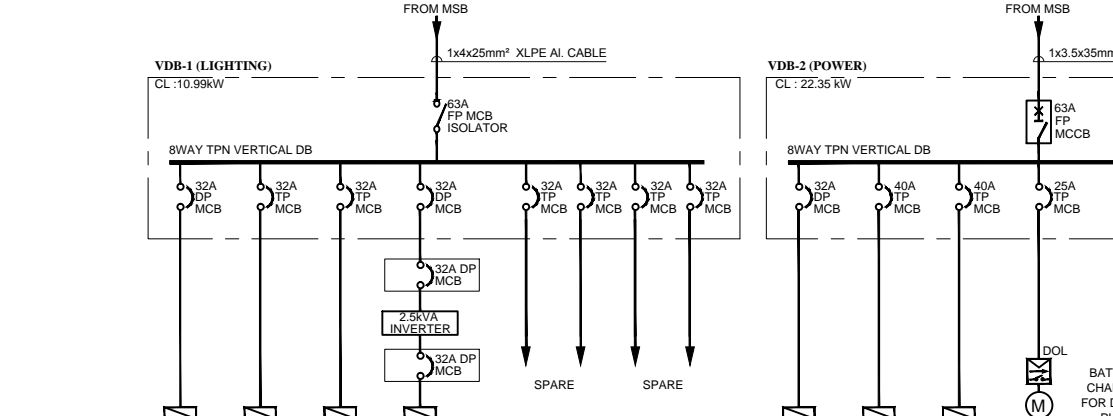


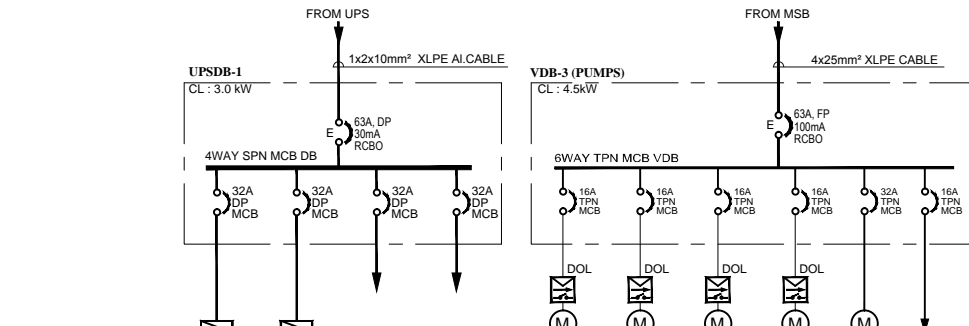
DESCRIPTION OF LOAD	VDB-1 (LIGHTING)	VDB-2 (POWER)	UPSDB-1 (COMPUTER)	CAPACITOR PANEL	VDB-3 (PUMPS)	SPARE	SPARE
CONNECTED LOAD (kW)	10.99	22.35	3.0	25 kVAR	4.5		
MCCB SETTING (A)	63	63	63	100	63		
POWER CABLE (mm <sup>2</sup> ) Al.	25	35	10	35	25		
NO. OF CORES	4	3.5	2	3.5	4		
NO. OF RUNS	1	1	1	1	1		
LENGTH IN METERS	--	--	--	10	--		
EARTHING IN SWG (Cu.)	10 SWG	10 SWG	10 SWG	25x3mm	10 SWG		



DESCRIPTION OF LOAD	LDB-1 BF 1Ø 8WAY	LDB-2 GF 3Ø 8WAY	LDB-3 FF 3Ø 4WAY	UPSDB-2 (LIGHTS)
LOAD (IN kW)	2.8	3.3	3.03	1.86
POWER CABLE (mm <sup>2</sup> ) Al.	10	10	10	10
NO. OF CORES	2	4	4	2
NO. OF RUNS	1	1	1	1
LENGTH IN METERS	--	--	--	--
EARTHING IN SWG (Cu.)	10	10	10	10

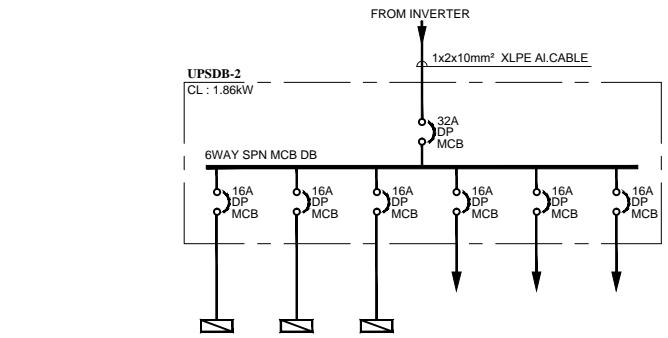
DESCRIPTION OF LOAD	PDB-1 BF 1Ø 8WAY	PDB-2 GF 3Ø 4WAY	PDB-3 FF 3Ø 8WAY	TERRACE PUMP 5 HP
LOAD (IN kW)	1.5	4.1	13.0	3.75
POWER CABLE (mm <sup>2</sup> ) Al.	10	25	35	4
NO. OF CORES	2	4	3.5	3
NO. OF RUNS	1	1	1	1
LENGTH IN METERS	--	--	--	--
EARTHING IN SWG (Cu.)	10	10	10	10



DESCRIPTION OF LOAD	ULDB-1 GF 1Ø 6WAY	ULDB-2 FF 1Ø 6WAY	SPARE	SPARE
LOAD (IN kW)	1.8	1.2		
POWER CABLE (mm <sup>2</sup> ) Al.	6	6		
NO. OF CORES	2	2		
NO. OF RUNS	1	1		
LENGTH IN METERS	--	--		
EARTHING IN SWG (Cu.)	10	10		

DESCRIPTION OF LOAD	3 HP (WORKING)	3 HP (STAND-BY)	3 HP (WORKING)	3 HP (STAND-BY)	10 HP JOCKEY PUMP	SPARE
LOAD (IN kW)	2.250	2.250	2.250	2.250	7.500	
POWER CABLE (mm <sup>2</sup> ) Al.	4	4	4	4	6	
NO. OF CORES	3	3	3	3	3	
NO. OF RUNS	1	1	1	1	1	
LENGTH IN METERS	--	--	--	--	--	
EARTHING IN SWG (Cu.)	10	10	10	10	10	



DESCRIPTION OF LOAD	ULDB-1 BF 1Ø 6WAY	ULDB-2 GF 1Ø 6WAY	ULDB-3 FF 1Ø 6WAY	SPARE	SPARE	SPARE
LOAD (IN kW)	0.62	0.62	0.62			
POWER CABLE (mm <sup>2</sup> ) Al.	6	6	6			
NO. OF CORES	2	2	2			
NO. OF RUNS	1	1	1			
LENGTH IN METERS	--	--	--			
EARTHING IN SWG (Cu.)	10	10	10			

SWITCH GEARS	
	CIRCUIT BREAKER
	CURRENT TRANSFORMER
	POTENTIAL TRANSFORMER
	EARTH
	FUSE
	MCB
	ON-OFF INDICATION LAMP

METERS & RELAYS	
	AMMETER
	AMMETER SELECTOR SWITCH
	VOLT METER
	VOLT METER SELECTOR SWITCH
	MULTIFUNCTION METER (V, A, kWh, PF, Hz, kVA & kVAR)
	KILO WATT HOUR METER

NOTE:-  
WHEN THE MAIN FIRE PUMP BECOMES 'ON', 'A' SHALL BE SWITCHED OFF.

FOR TENDER PURPOSE ONLY

DESIGNED	CHECKED	DRAWN	CHECKED	APPROVED	UNIT	DATE	<b>KITCO Ltd.</b> (Est. in 1972 by IDBI & Govt. of Kerala) RAVIPURAM, COCHIN - 16 the consultants		
								CLIENT:	SPORTS & YOUTH AFFAIRS DEPARTMENT- NATIONAL GAMES SECRETARIAT
								PROJECT:	PROPOSED PAVILION AT THRISSUR CO-OPERATION STADIUM
								TITLE:	SCHEMATIC DIAGRAM OF MSB
SL.No.	PARTICULARS	INITIAL	DATE	SCALE	mm.	11.12.12	DRG NO:	DP 586 DRG EL 05 002	
REVISION							REV.	SHEET NO:	
This drawing is the property of KITCO Ltd. and is to be used only for the purpose for which it was lent and must not be in any way detrimental to the interest of the company and is subject to return on demand							1	1	