

**CORRIGENDUM No.1 to the Tender No.56/CE/NGS/2014-15 dated 12.12.2014
for Shooting Range furniture at Shooting Range at Vattiyoorkavu,
Thiruvananthapuram**

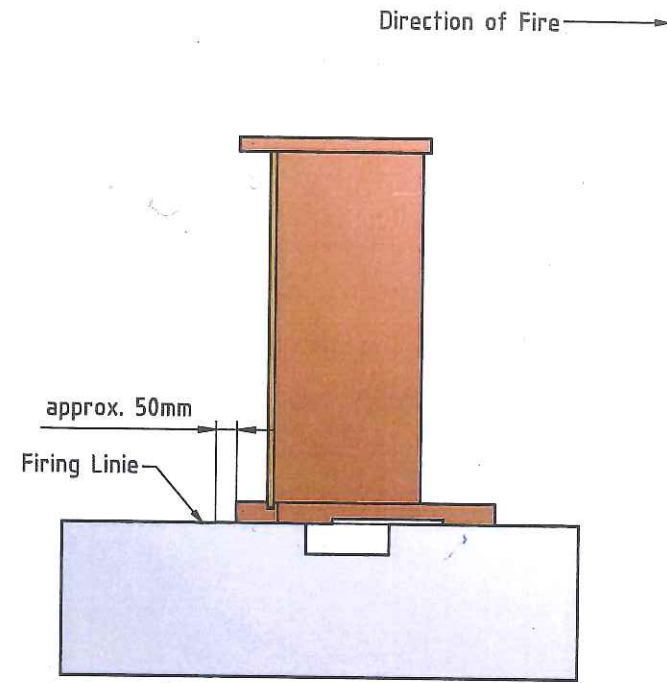
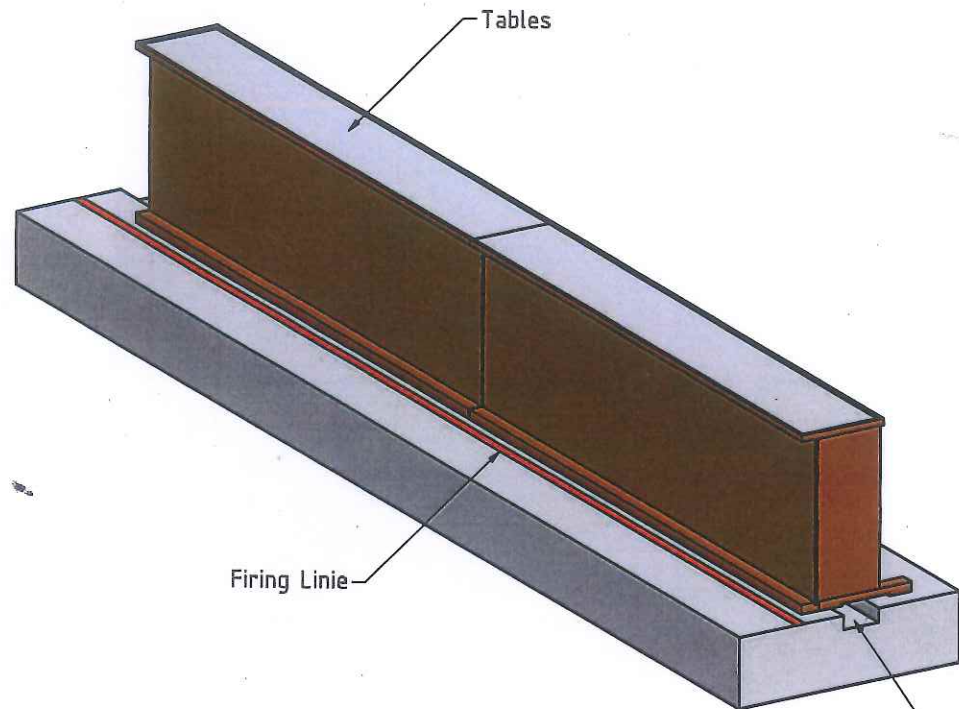
Dated :17.12.2014

All prospective bidders for this work are hereby informed that, Item No. 3 in Tender schedule, quantity may be read as **40 Nos. and unit for each unit**. Also for Item No.2 a detailed drawing is also attached for reference.

Sd/-

Chief Engineer

National Games Secretariat.



Neon 2

GEM International 100-D HSIDC Industrial Estate, Sector-31, Faridabad-121003, India Ph: +91-129-4041958, 4041959 Fax: +91-129-2278158 Website: www.gem-intl.com E-mail: info@gem-intl.com				Datum Name 24.09.2009 W. Eberl		Example for Loading Tables of 10m CWG2010
Maßstab .						Blatt A3
REV	Änderungen	Datum	Name	D:\User W\Eberl\Desktop\CWG2010\example for Loading Tables of 10m.lvw		